

Description : PARADE L2 MC RECESSED

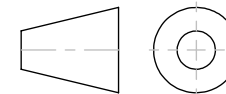
Code : AL5252

Scale : 1:5

SHEET 1 OF 2

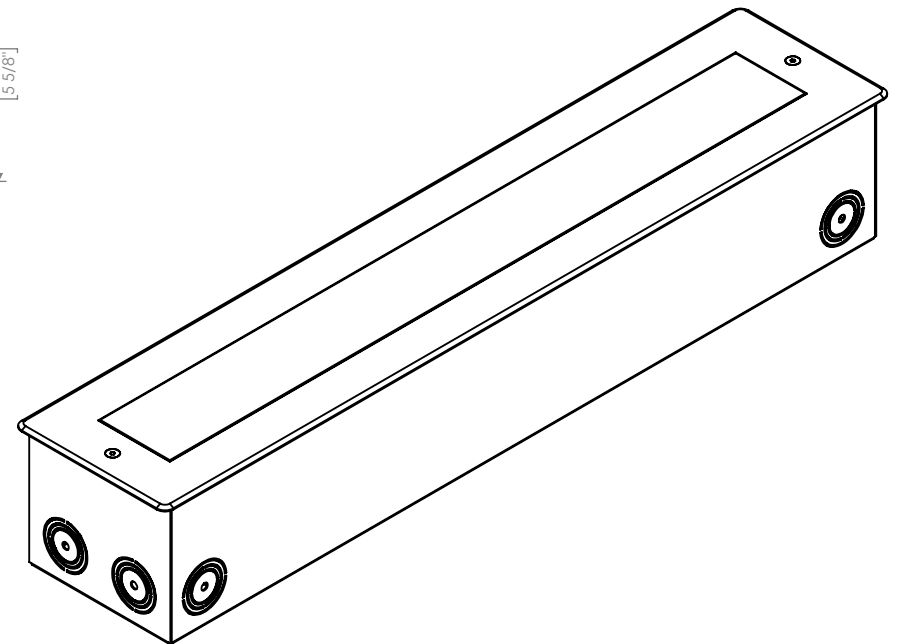
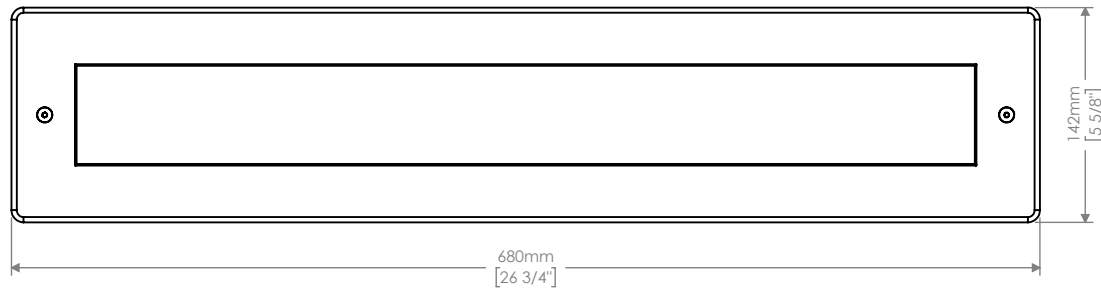
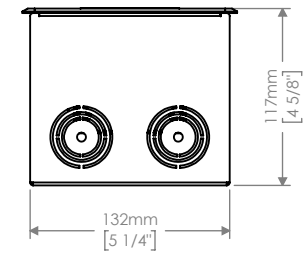
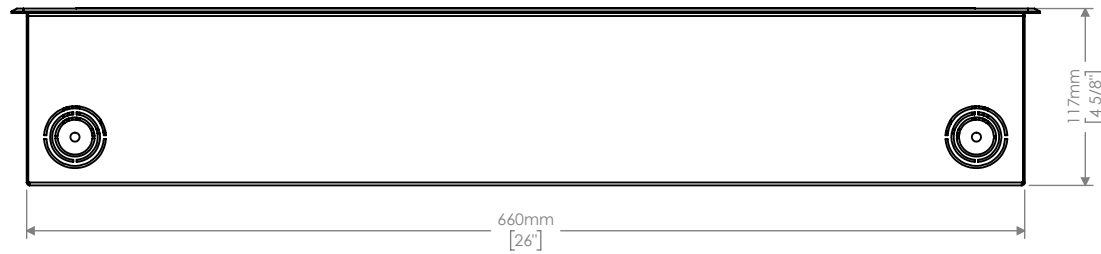
Revision : 01

DIMENSIONS ARE IN MILLIMETERS [BRACKETED DIMENSIONS ARE IN INCHES]



GRIVEN 

<http://www.griven.com>



Description : PARADE L2 MC RECESSED

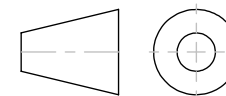
Code : AL5252

Scale : 1:5

SHEET 2 OF 2

Revision : 01

DIMENSIONS ARE IN MILLIMETERS [BRACKETED DIMENSIONS ARE IN INCHES]



GRIVEN 

<http://www.griven.com>